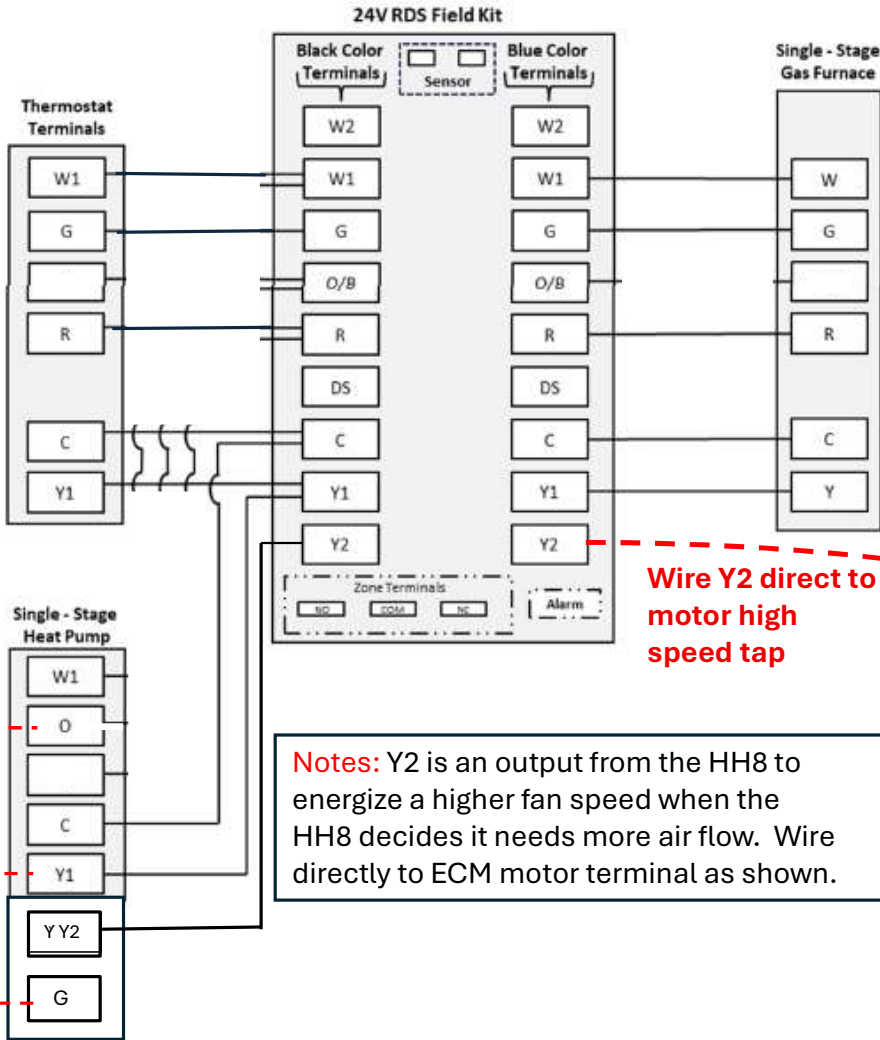


# HH8 Wired Cooling Only To TL8E or TL9E Single Stage Furnace

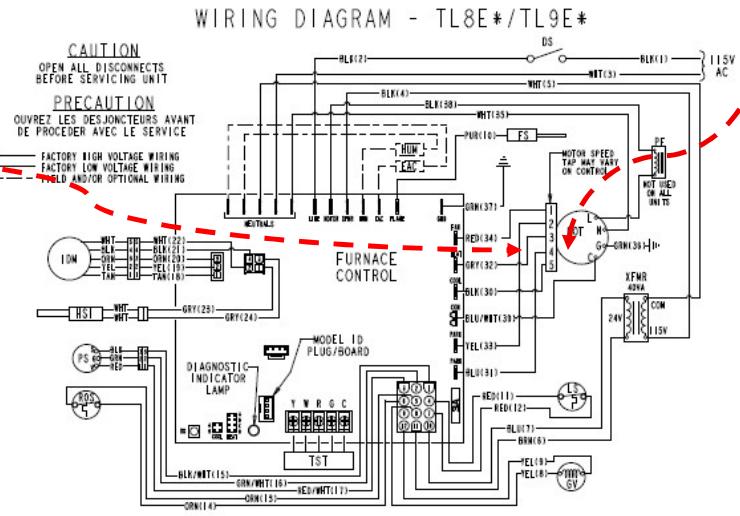


- RDS KIT Notes:**
1. NEC CLASS 2 Wiring
  2. Incorporates an earth connection for functional purpose only
    - \* D/Hor DS or BK Terminal. Connect through RDS on DS terminals to furnace if using dehumidification capable thermostat with a furnace capable of dehumidification.
    - \*\* Connect O/B terminal for heat pump operation if required by furnace installation instructions.

**\*ULN MOTOR SPEED WIRING NOTES:**

\*There are 5 speeds on the ULN Furnace. 1 is the lowest speed and 5 is the highest speed.

\*\* You can reposition speed wires from ECM motor as required for proper air flow requirements for the HH8 tonnage unit installed. Refer to tech guide or installation manuals for ULN and HH8 for CFM required for your system.



\*ADD JUMPER from Y1 to G to O