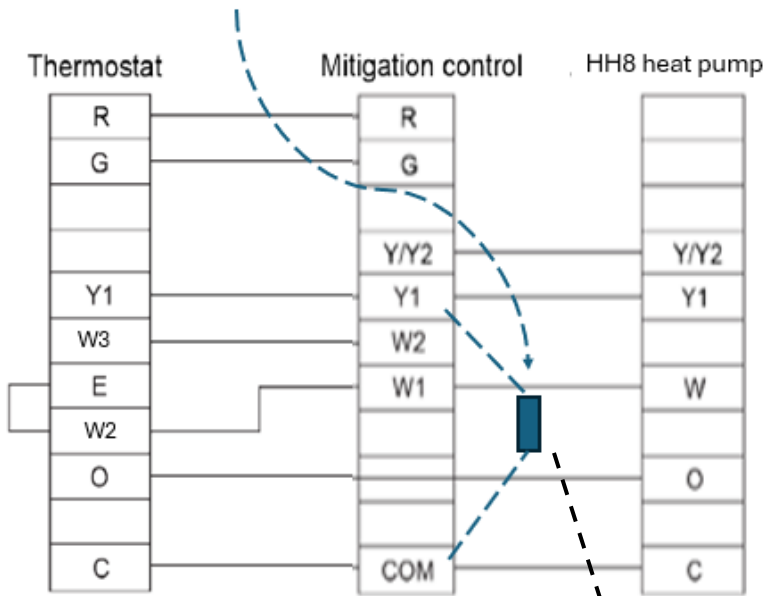


Wiring York Model HH8 Heat Pump and ADP Model AX Air Handler

With digital thermostats using triac switching there can be bleed voltage that occurs causing loads to continue operating during the off cycle. We have found when using a T7850 with the ADP model AX air handler with the new mitigation control (RDS) the indoor blower continues to operate when the thermostat is satisfied. This may or may not happen depending on which model thermostat is used. To prevent this from happening you can install a resistor. See the wiring example below.

* if needed add a 1K 2 watt resistor across Y1 & C



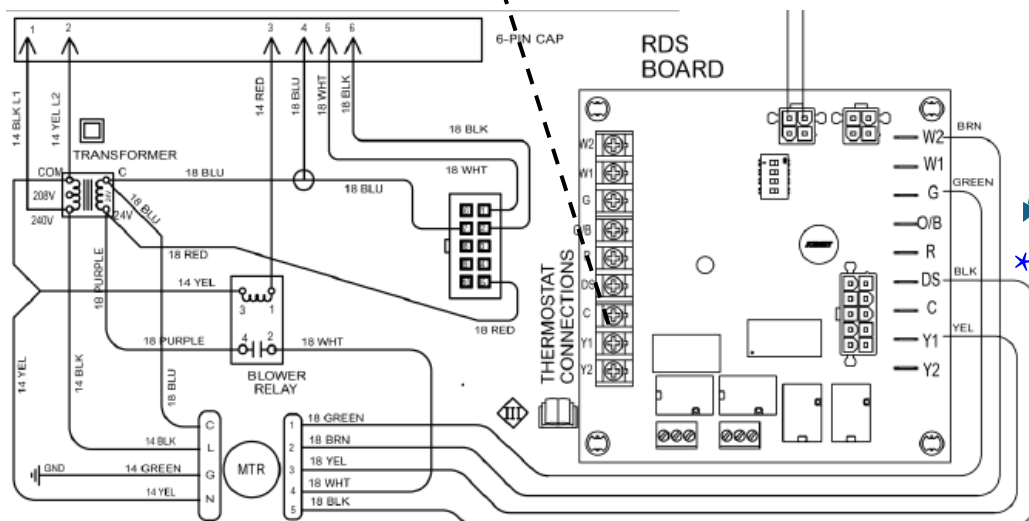
Notes:

*W2 & W3 Only used if you have electric strip heater installed.

*The G terminal on the HH8 outdoor terminal strip is not used.

*The Y2 terminal on the outdoor HH8 is an output from HH8 to energize a higher blower speed when needed by the HH8 logic.

There are 5 speeds on the AX air handler. Move the black wire on the DS blower speed terminal to the Y2 blower speed terminal on the mitigation control.



☆☆ Standard ECM blower - 1 is lowest speed 5 highest speed.

You can reposition speed taps as required for proper air flow requirements for the HH8 tonnage unit installed. Refer to tech guide or installation manual for CFM required.