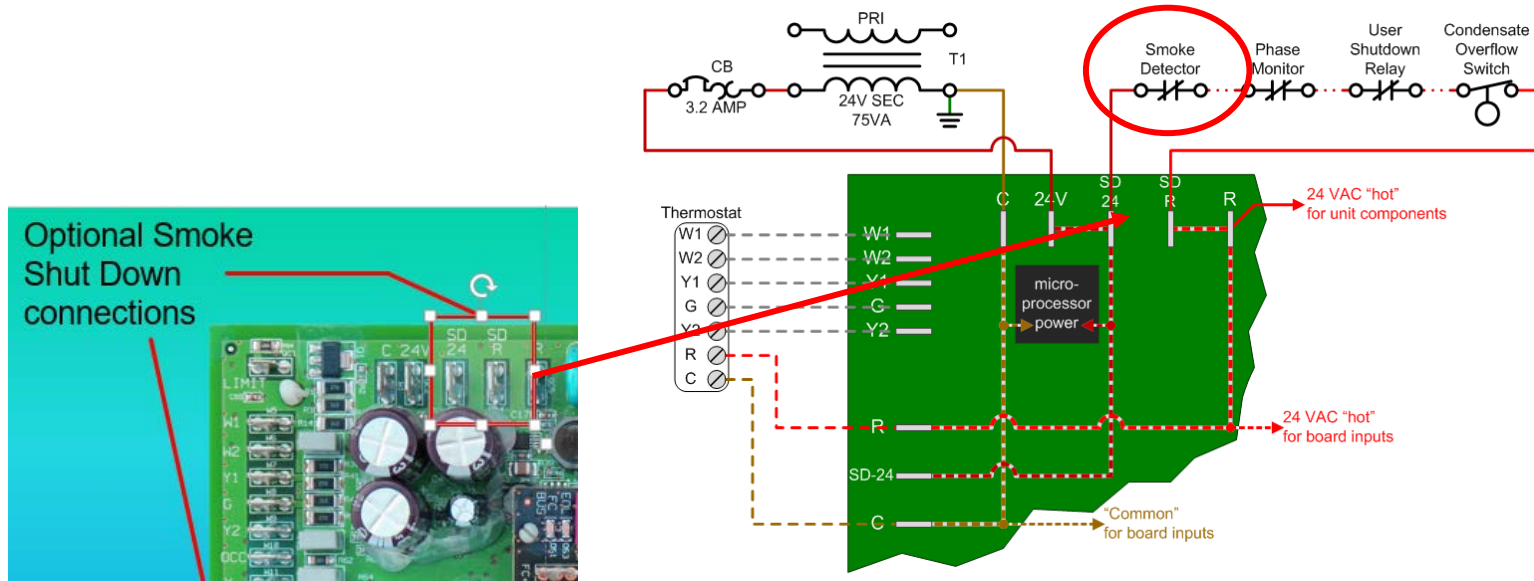


# Field Installed Smoke Shut Down Wiring



**Anything wired between SD 24 and SD R that opens will shut unit off but leaves board display powered so alarm "shut down due to smoke detector" will be displayed.**