

Revision Date: 12/16/2024

Subject: E322 Error Code

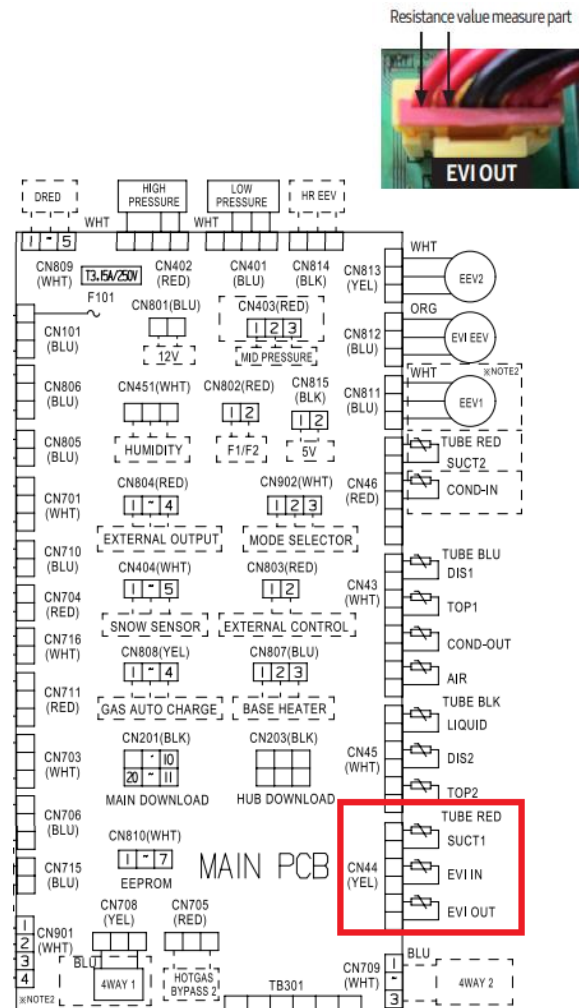
Models: DVM, CHILLER, WATER

Title: EVI EEV Outlet Sensor is Open or Short

Troubleshooting Steps

1. Locate the EVI EEV Outlet sensor on the outdoor unit at CN44 on the Main PCB.
2. Ohm the sensor and compare it to the resistance chart below. If the sensor is out of range, replace the sensor.
3. If the sensor tests within range, replace the Main PCB on which the sensor is connected.

T (°C)	T (°F)	Rmin(kΩ)	Rcent(kΩ)	Rmax(kΩ)
-1	30	27.33	28.47	29.63
0	32	26.18	27.27	28.37
2	36	24.06	25.03	26.02
3	37	23.07	24.00	24.93
5	41	21.23	22.06	22.90
7	45	19.55	20.30	21.06
9	48	18.03	18.70	19.38
10	50	17.31	17.95	18.60
11	52	16.63	17.24	17.86
14	57	14.77	15.29	15.81
15	59	14.20	14.69	15.19
17	63	13.13	13.58	14.03
19	66	12.16	12.57	12.97
21	70	11.27	11.64	12.00
22	72	10.85	11.20	11.55
25	77	9.700	10.00	10.30
26	79	9.341	9.633	9.926
27	81	8.997	9.282	9.568
30	86	8.049	8.313	8.578
31	88	7.758	8.016	8.275
33	91	7.213	7.458	7.704
34	93	6.957	7.196	7.436
37	99	6.249	6.470	6.694
38	100	6.032	6.247	6.465



Always refer to wiring diagram for specific model.
 Use the link below for a model search and see the technical data book for the wiring diagram.
<https://www.samsunghvac.com/downloads>