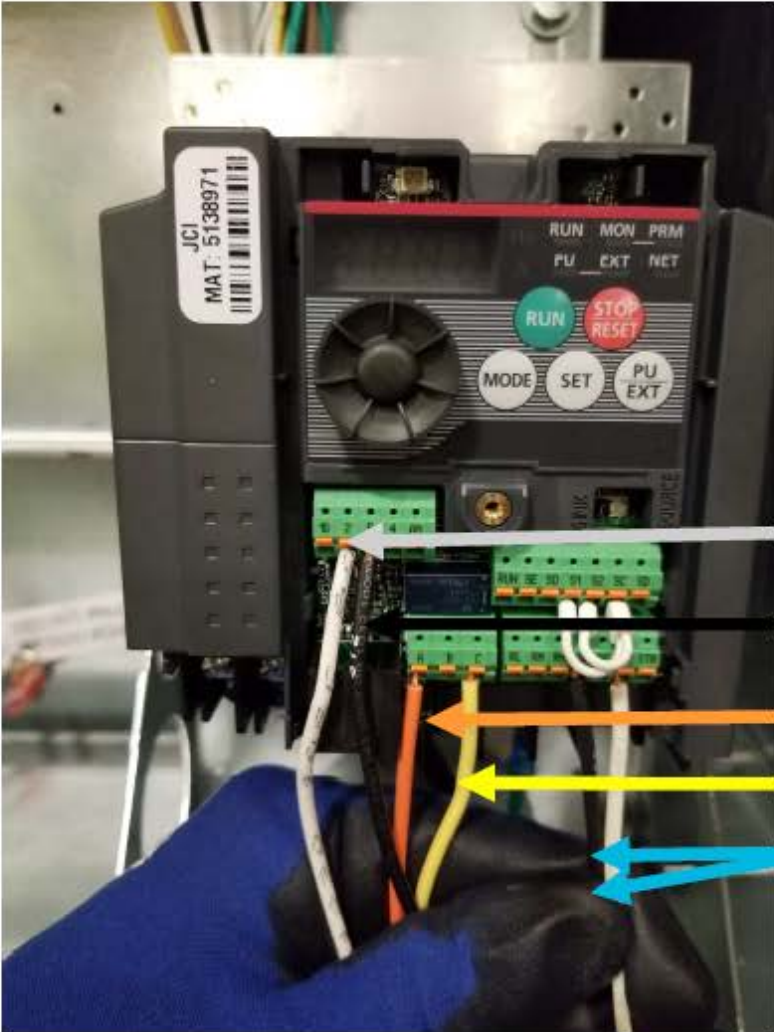


• Mitsubishi to Delta



2 (2- 10VDC Signal) AVI

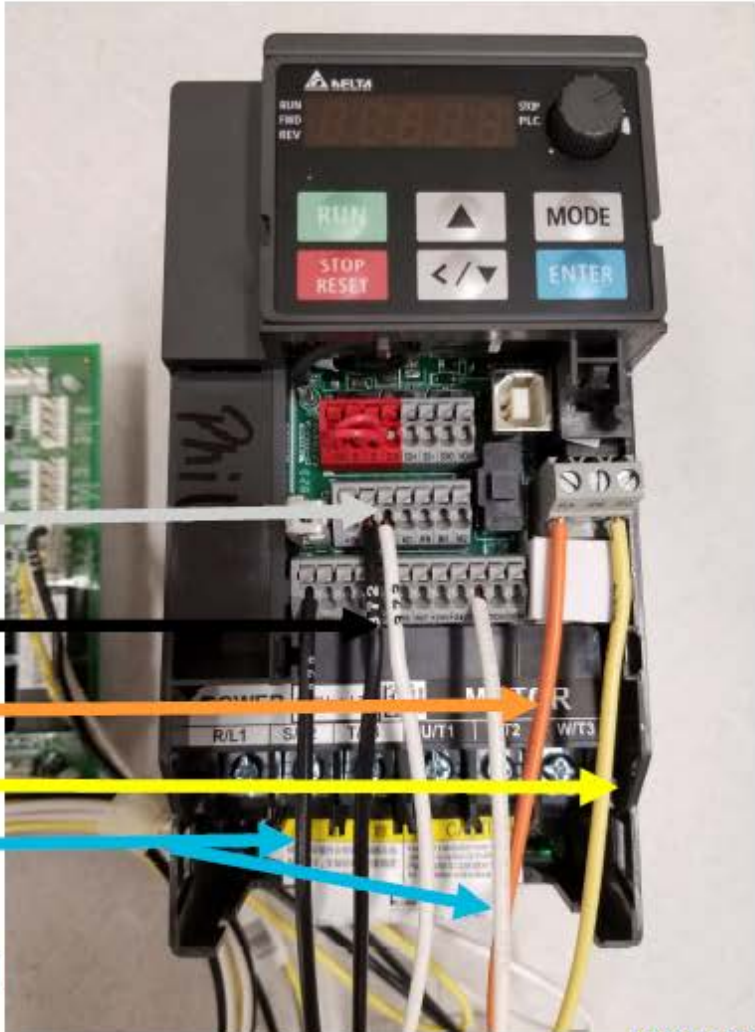
5 (Analog Common) ACM

A (24V input) RA

C (Fault 24V Out) RC

STF/STR (Run Close) MI1

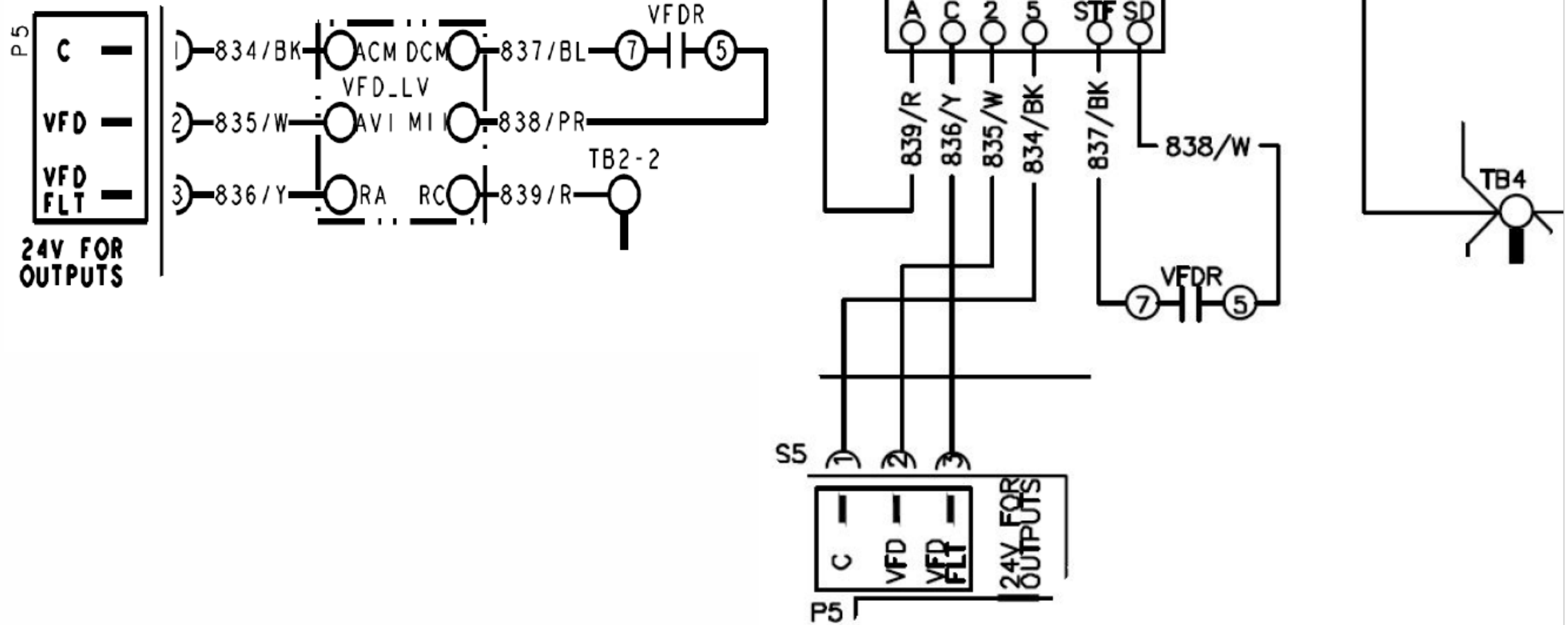
SD (Run Close Common) DCM



SD = MI1 2 = AVI 24v = Terminal Block Wire to RC

STF = DCM 5 = ACM VFD FLT = RA STR = MI2

(wire numbers and colors subject to change per system size/type)



Mitsu / Delta Changeover Reference