

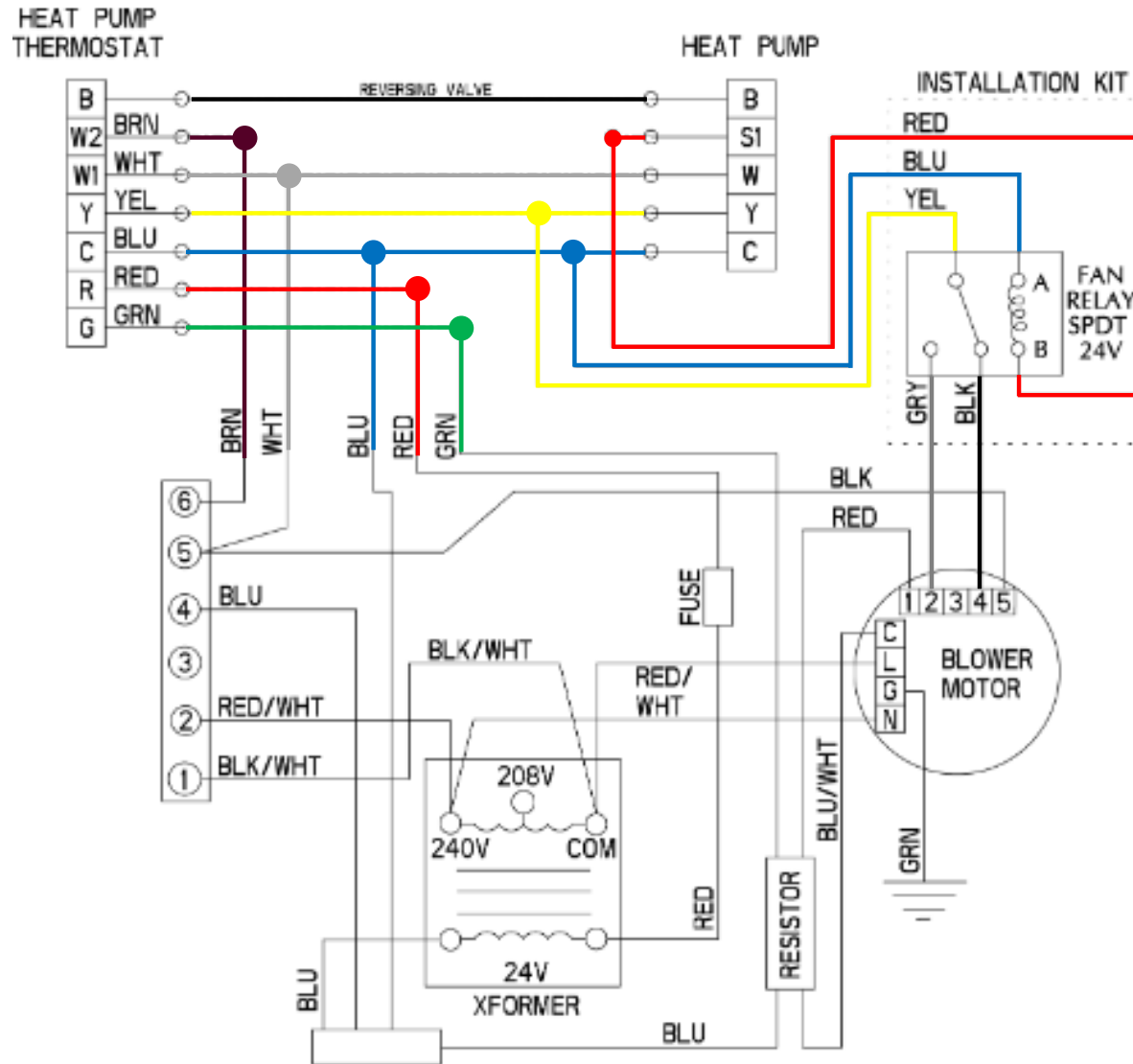
## The 01 or 02 Kit New

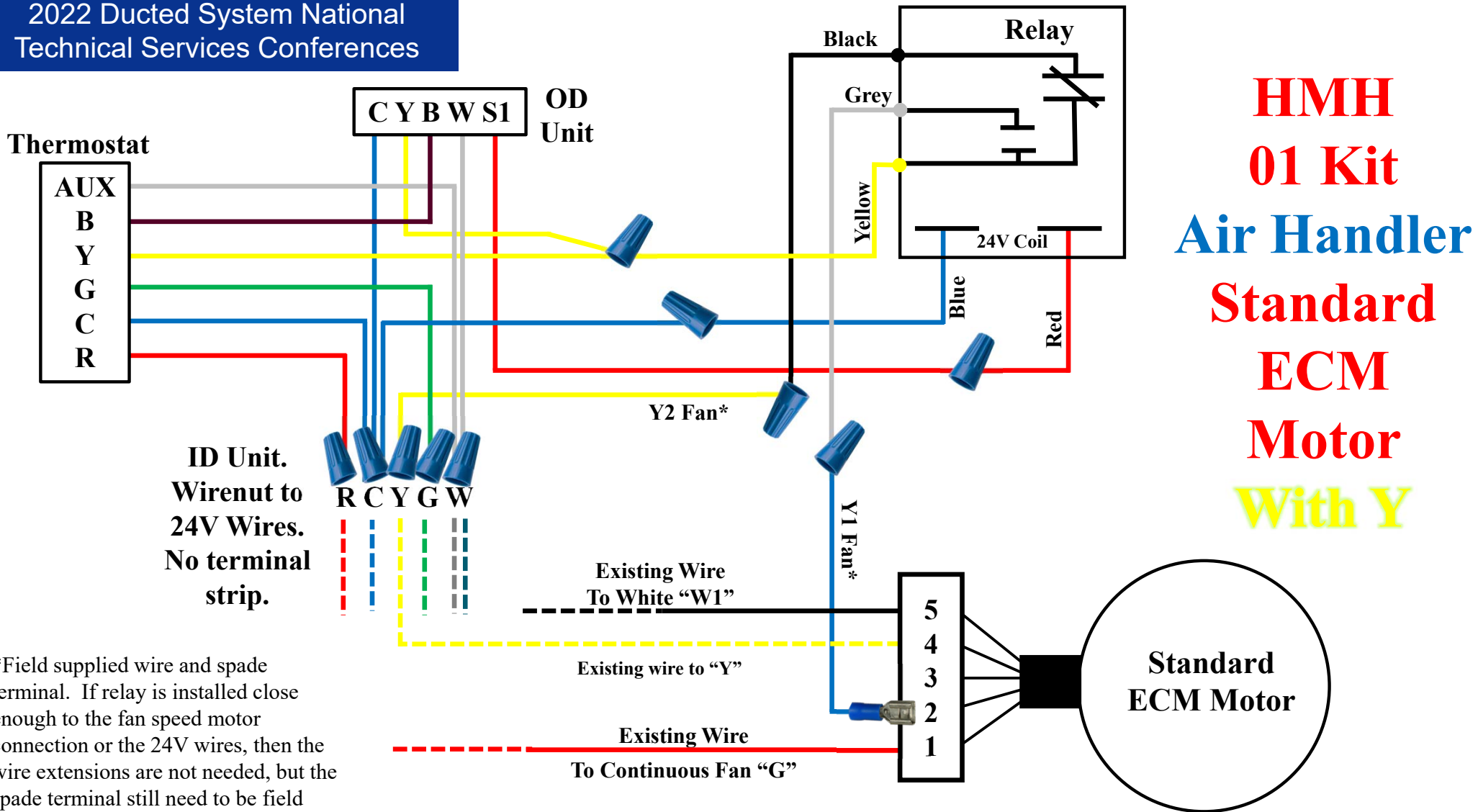
The Circuit Board  
***CANNOT*** take any  
high voltage—120V or  
230V.



# HMH 01 Kit Air Handler Standard ECM Motor

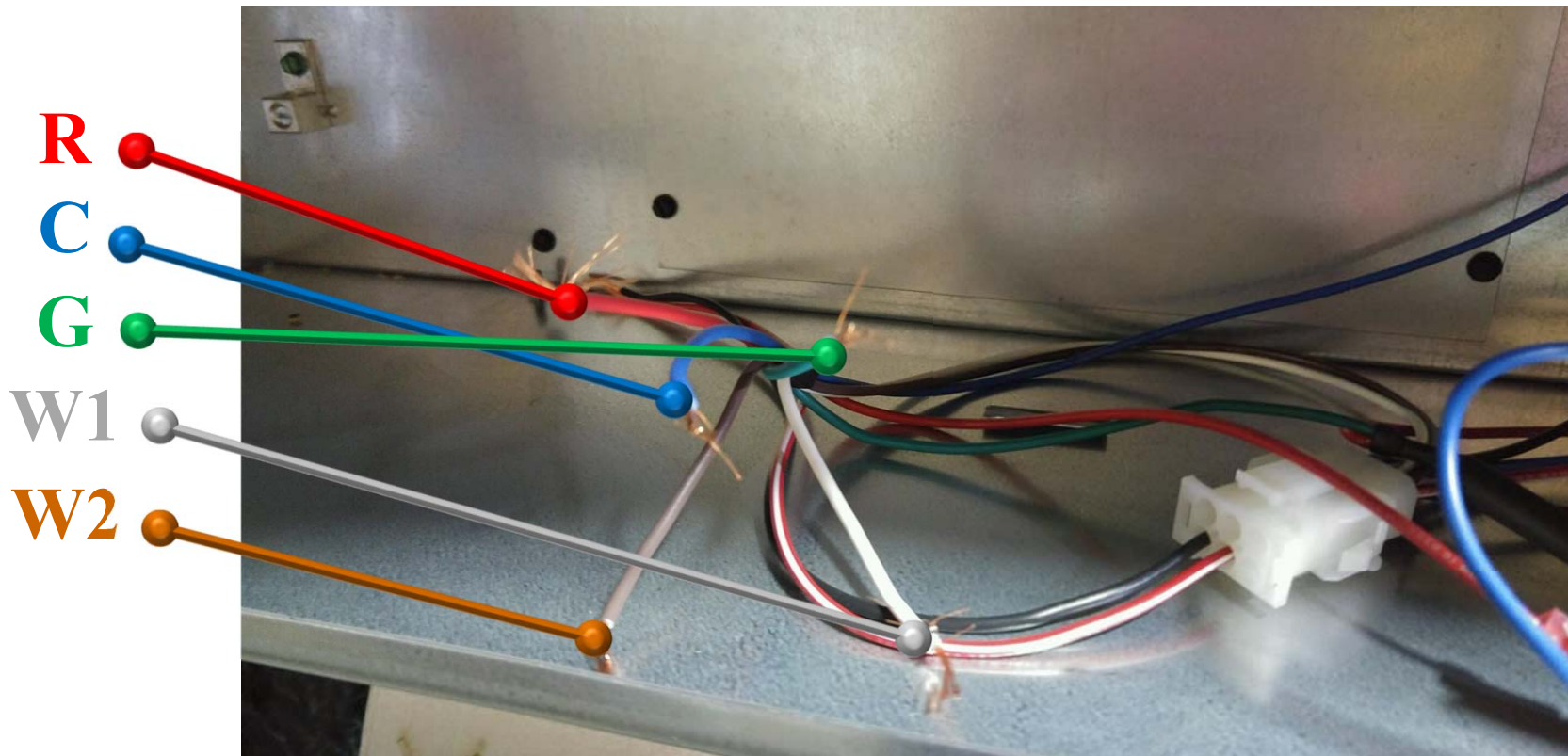
Factory wiring diagram





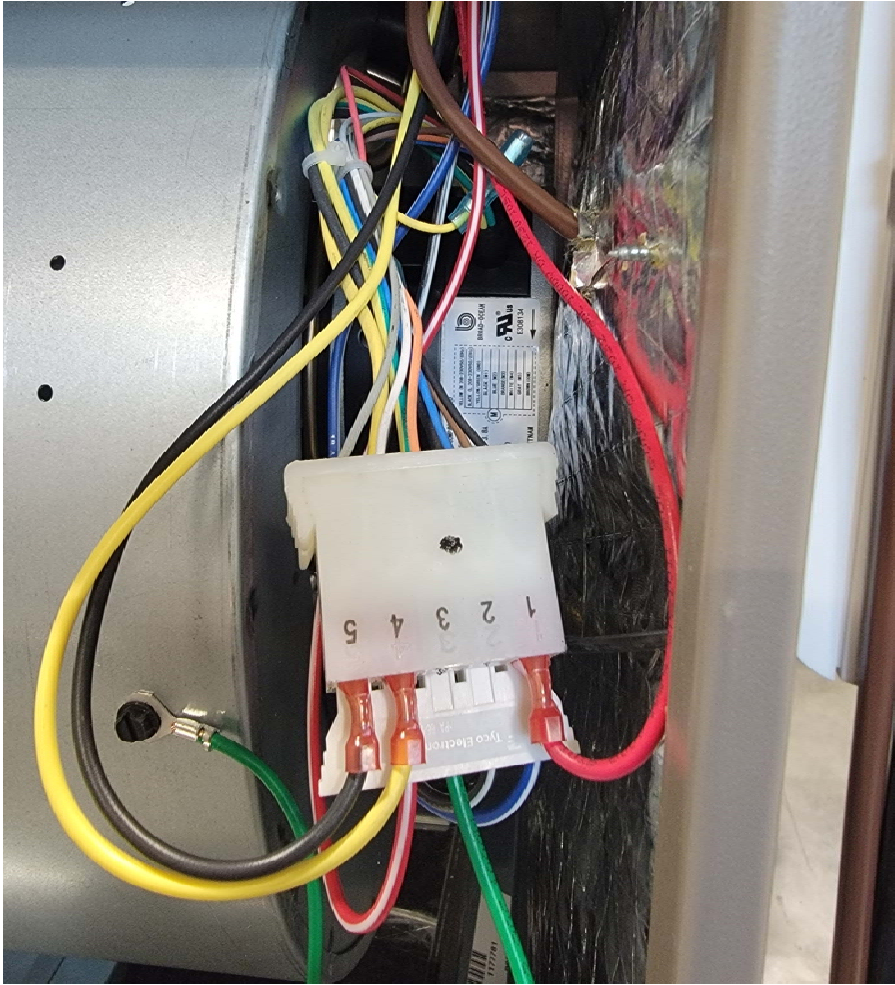
\*Field supplied wire and spade terminal. If relay is installed close enough to the fan speed motor connection or the 24V wires, then the wire extensions are not needed, but the spade terminal still need to be field supplied.

## AE & ME



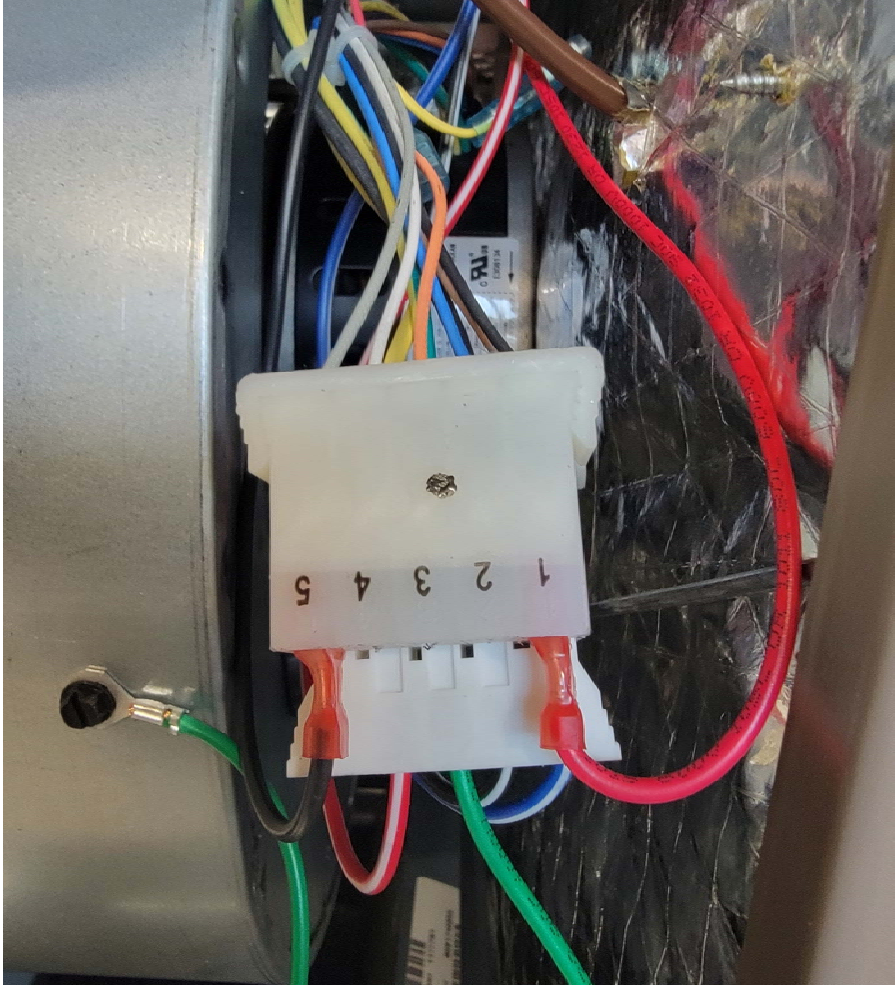
## Thermostat wiring Without a Y

# With a Y



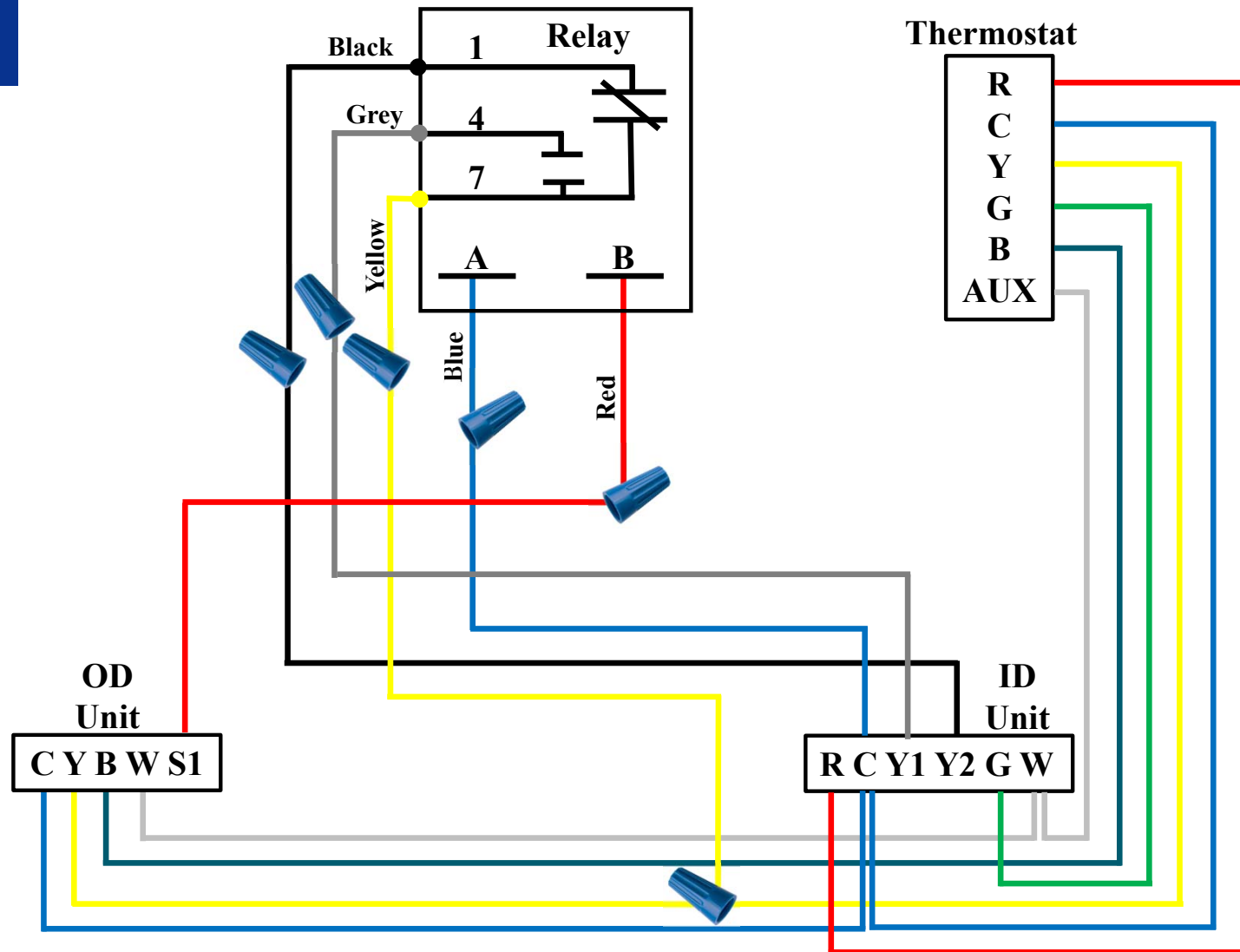


# Without a Y

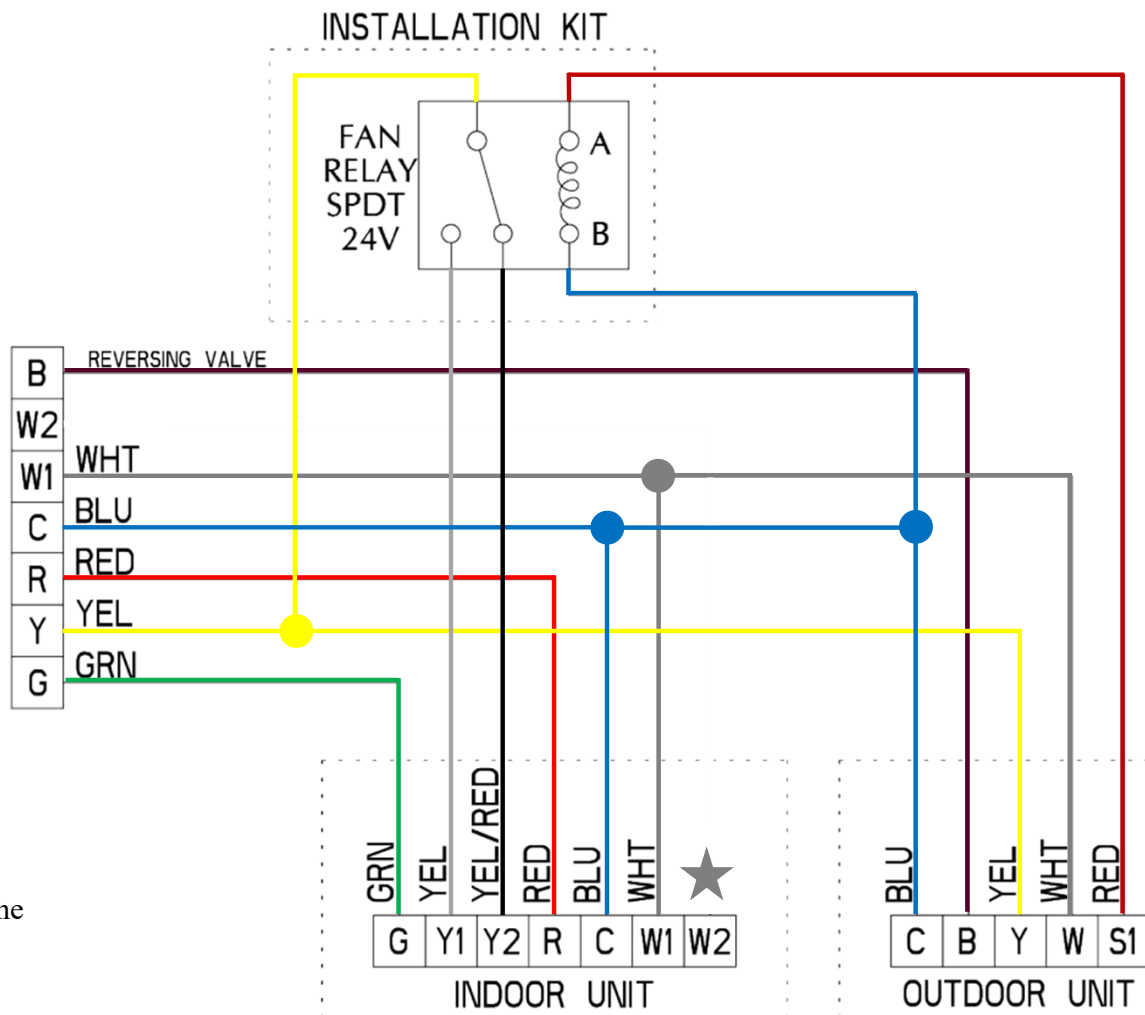


# HMH 01 Kit Gas Furnace ECM Motor

On two-stage gas furnaces, set the control board to upstage to W2. If the 01 kit relay is installed close to the 24V terminal strip the wire extensions are not required.



## 24V wiring with a Y1 and Y2



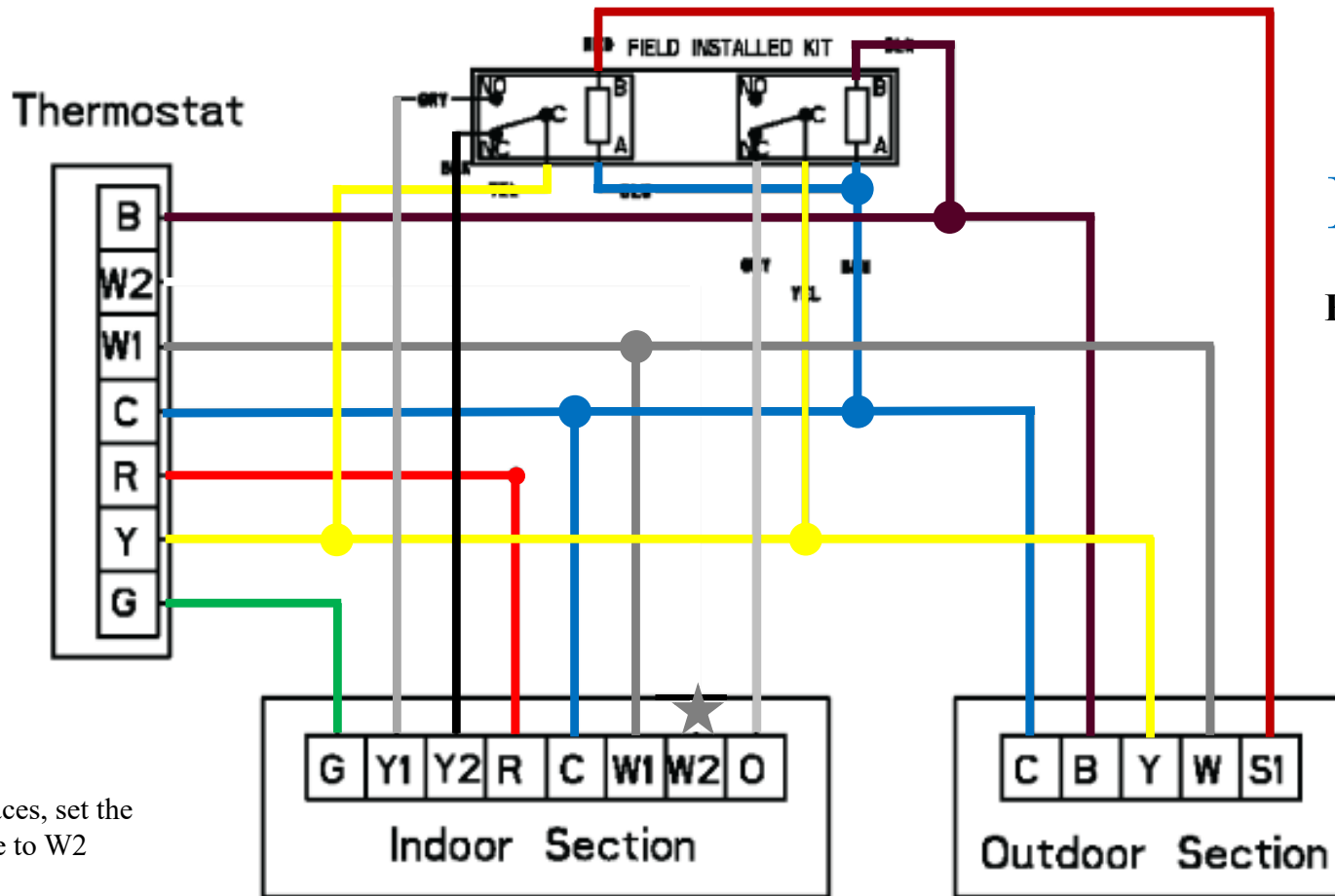
# HMH 01 Kit Gas Furnace ECM Motor

Factory wiring diagram

★ Two-stage gas furnaces, set the control board to upstage to W2



## 24V wiring with a Y1 and Y2

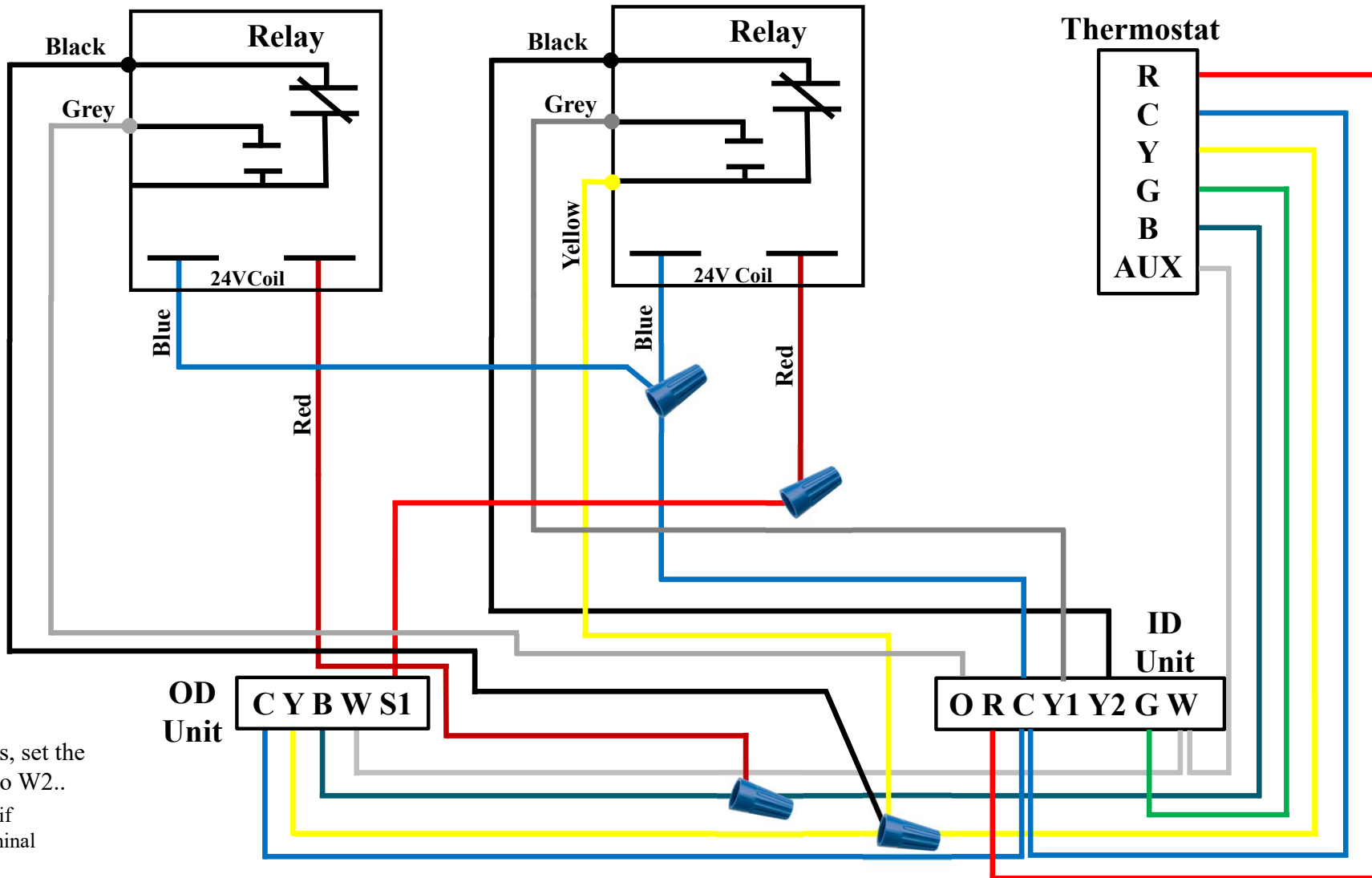


# HMH 02 Kit ECM Motor

Factory wiring diagram

★ Two-stage gas furnaces, set the control board to upstage to W2

# HMH 02 Kit ECM Motor



On two-stage gas furnaces, set the control board to upstage to W2..

Wire extension is not needed if relay is installed near 24V terminal