

2 Stage Gas Furnace  
with HMH7 outdoor

**HMH**

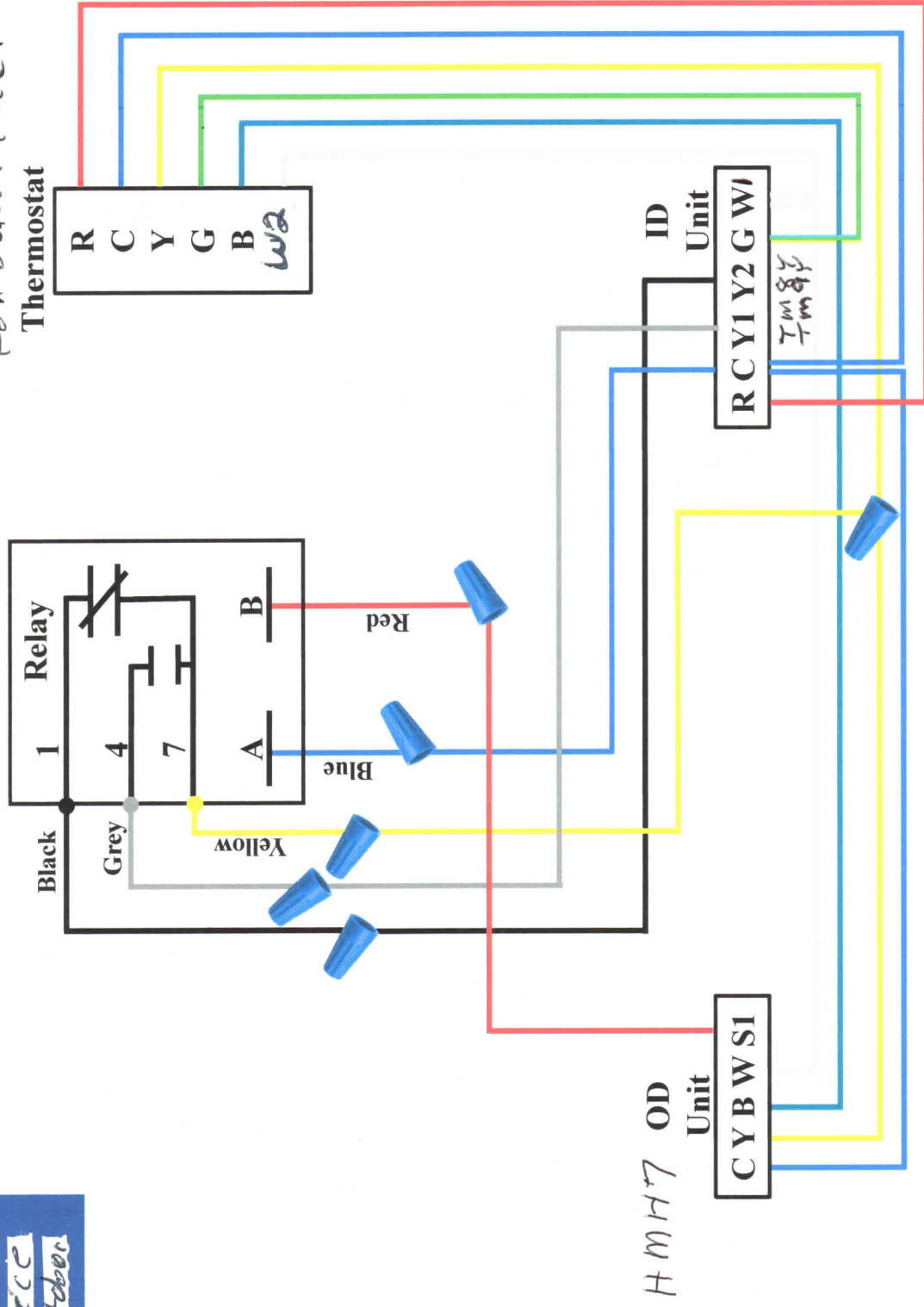
**01 Kit**

**Gas Furnace**

**ECM Motor**

On two-stage gas furnaces, set the control board to upstage to W2. If the 01 kit relay is installed close to the 24V terminal strip the wire extensions are not required.

can figure out for Dual Fuel



TM8Y or TM9 SINGLE STAGE THERMOSTAT (Optional) If a single stage thermostat is used, the high/low input staging will be controlled by the furnace control board. Using the dip switch settings the control provides multiple options for furnace staging. If the staging dip-switches are set to 10 or 20 position, the furnace will switch from low fire to high fire after 10 or 20 minutes and will stay in high fire until the thermostat is satisfied. If the staging dip switches are set to AUTO position, the furnace will automatically stage from low fire to high fire, using recent heating duty cycle information in an adaptive algorithm to determine the optimal time to energize 2nd stage operation. This provides two stage heating capability with single stage thermostat. If the staging dip switches are set to OFF position and a single stage thermostat is used, the furnace will only operate at low fire.