

# ADP Air Handler Model AV Wired to York HMH7 Heat Pump Using HMH7AK002 Relay Kit

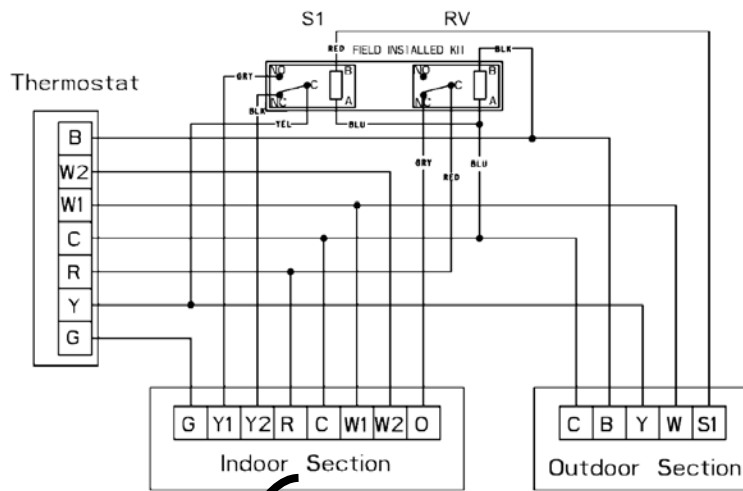
Note:

The purpose of the relay kit is to allow the HMH7 unit to energize a lower fan speed when it reduces its capacity.

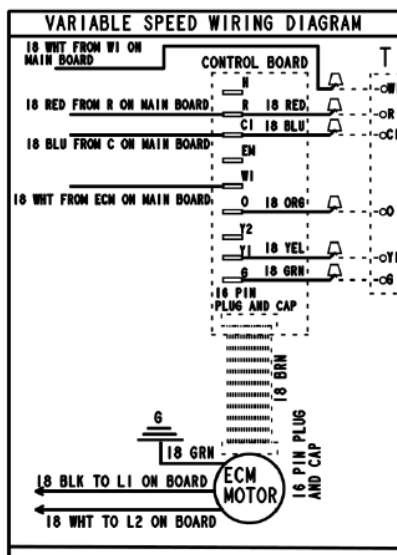
Thermostat must be configured for heat pump using B for reversing valve operation.

W1 and W2 **only** used if electric split heaters are installed in air handler, confirm thermostat selected has W1, W2 capability.

## HMH7AK002 Relay Kit



## ADP Model AV Air Handler



## York HMH7 Outdoor

Refer to Air Handler Installation Instruction for ECM Blower speed settings.

The motor control board that provides airflow selection also features LED indicators that display operating mode, humidity control, and airflow CFM. In addition, thermostat signals for emergency heat (EM), aux. heat (W1), reversing valve (O), compressor stage 1 (Y1), compressor stage 2 (Y2), and blower (G) are all indicated by lit LED's on this board. If a humidistat is used, the dehumidify LED will light when the humidistat opens and the motor runs at reduced airflow. The control board also has a CFM LED that displays the operating CFM. This red LED flashes once for each 100 CFM. For example, if the operating CFM is 1200, the CFM LED will flash 12 times, then pause before repeating the 12-flash pattern.

Control Board Taps and Dehumidity Resistor.

